

# Commander-AT6

## Portable laptop system

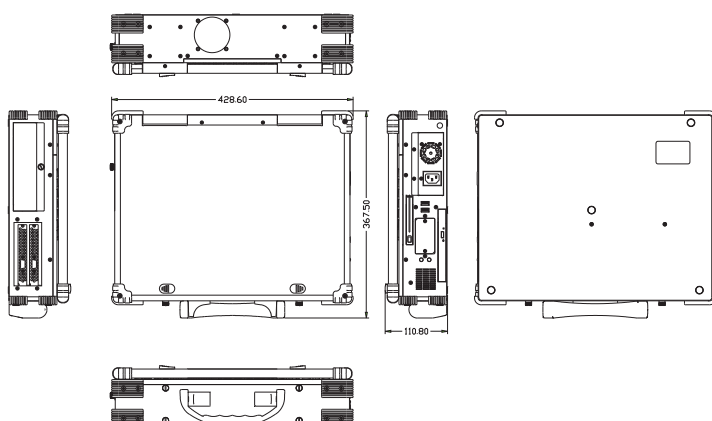


### Specification

<b>Model No</b>	<b>Commander-AT6</b>
<b>Construction</b>	Rugged Aluminum Construction
<b>CPU</b>	Intel Core i5-9500E, 3.00GHz Processors Option: Intel Core i7-9700E, 2.60GHz Processors
<b>Chipset</b>	Intel® 9th/8th Gen. Core CPU with Intel Q370 PCH
<b>Slot</b>	2x PCIe (x8) expansion slots Option: 2PCI expansion slots Option: 1x PCIe (x16) expansion slot
<b>Display</b>	17.3", 1920x 1080 resolution LCD display
<b>Memory</b>	16GB DDR4 RAM
<b>HDD</b>	1x SSD 240G, support 1x 2.5" removable
<b>Graphics</b>	Intel UHD Graphics P630
<b>Audio</b>	Intel® Q370 PCH-H built-in HD audio controller With Realtek Codec ALC888S-VD2-GR
<b>LAN</b>	Intel® I219LM GbE LAN Intel® I210AT / I211AT GbE LAN
<b>Speaker</b>	Built-in amplified 2x 3W speakers
<b>KB/MS</b>	Multi-language industrial keyboard with touchpad
<b>Power Supply</b>	400W, 100~240VAC, Auto switch
<b>Dimension</b>	428.6x 110.8x 367.5 mm (Wx Hx D)
<b>Weight</b>	6.8 kgs
<b>Trolley Case</b>	Padded trolley case with wheels

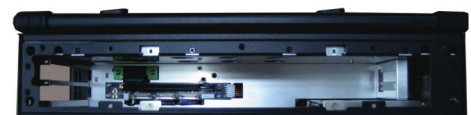
### Environmental Factors

	Operating	Non-Operating
Temperature	0°C~50°C	-20°C~60°C
Relative Humidity	10%~90%	10%~95%
Approval	CE, FCC, RoHS	



### Features

- All-in-one design rugged portable computer
- Compact Size Lightweight Design
- Built-in 17.3", 1920x 1080 LCD display
- Intel® 9th/8th Gen. Core CPU with Intel Q370 PCH
- 400W Power supply, 100~240 VAC, Auto Switch
- Intel Core i5-9500E, 3.00GHz Processors  
Option: Intel Core i7-9700E, 2.60GHz Processors
- Industrial Keyboard multi-language with touchpad
- 2 PCIe (x8) expansion slots  
Option: 2x PCI expansion slots  
Option: 1x PCIe (x16) expansion slot
- Built-in 240GB SSD, 1x 2.5" removable SATA
- Dual Gigabit Ethernet, 2x COM Port
- Trolley case to manage portable PC with ease



2 full size expansion slots

### Ordering Information

#### Commander AT6

17.3" LCD, 1920x 1080, i5-9500E CPU, 16GB RAM, SSD 240GB, 2PCI-E (x8), 400W PSU, Trolley case

#### Commander AT6

17.3" LCD, 1920x 1080, i5-9500E CPU, 16GB RAM, SSD 240GB, 2PCI, 400W PSU, Trolley case

#### Commander AT6

17.3" LCD, 1920x 1080, i5-9500E CPU, 16GB RAM, SSD 240GB, 1PCI-E (x16), 400W PSU, Trolley case

#### Option:

- Intel core i7-9700E, 2.60Ghz
- Touch screen
- Sunlight readable (High brightness)