

COMMANDER-AT5

Portable computer system

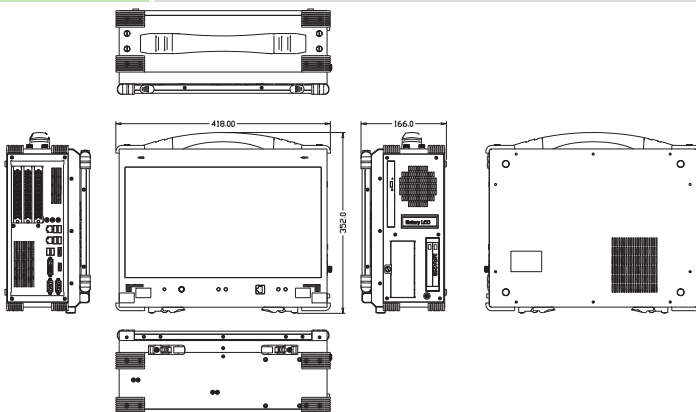


Specification

Model No	COMMANDER-AT5
Construction	Rugged Aluminum Construction with rubber corners
CPU	Intel Core i5-9500E, 3.00GHz Processors Option: Intel Core i7-9700E, 2.60GHz Processors
Chipset	Intel® 9th/8th Gen. Core CPU with Intel Q370 PCH
Slot	3 PCIe (x8, x8, x1) full-length expansion slots Option: 2 PCIe (x16, x1) full-length expansion slots Option: 1 PCIe (x16), 2PCI full-length expansion slots
Display	17.3", 1920x 1080 resolution LCD display
Memory	16GB DDR4 RAM
HDD	M2 480GB SSD, 2x 2.5" removable
Audio	Intel® Q370 PCH-H built-in HD audio controller With Realtek Codec ALC888S-VD2-GR
LAN	Intel® I219LM GbE LAN Intel® I210AT / I211AT GbE LAN
I/O interface	2x DB9 for COM1, COM2, DVI-D, HDMI, DP 2x Gbit LAN RJ-45, RCA Jack 3x1 for HD audio 6x USB 3.0 connector
Speaker	Built-in amplified 2x 3W speakers
KB/MS	Multi-language industrial keyboard with touchpad
Power Supply	400W, 100~240 VAC, Auto switch
Power Supply	2x 95W Li-ION battery pack (Hot-Swappable) Up to 4 hours battery life 100W, 90~264VAC adapter
Dimension	418x 352x 166 mm (Wx Hx D)
Weight	7.6 kgs
Carrying Case	Padded carrying case with wheels

Environmental Factors

	Operating	Non-Operating
Temperature	0°C~50°C	-20°C~60°C
Relative Humidity	10%~90%	10%~95%
Approval	CE, FCC, RoHS	



Features

- All-in-one design rugged portable computer
- Compact Size Lightweight Design
- Built-in 17.3" 1920x 1080 LCD display
- Intel Core i5-9500E (3.00 GHz) Processors
Option: Intel Core i7-9700E (2.60 GHz) Processors
- 2x 95W Li-ion battery packs, 100W AC adapter
Up to 4 hours battery life
- Industrial Keyboard multi-language with touchpad
- 3PCIe (x8, x8, x1) full-length expansion slots
Option: 2PCIe (x16, x1) expansion slots
Option: 1PCIe (x16), 2PCI expansion slots
- 16GB RAM, M2 480GB SSD, 2x 2.5" removable
- Dual Gigabit Ethernet, 2x COM Port
- Trolley case to manage portable PC with ease



Ordering Information

COMMANDER-AT5 A

17.3" FHD, i5-9500E CPU, 16GB RAM, 3PCIe (x8, x8, x1) slots, M2 480GB SSD, Battery packs, Trolley case

COMMANDER-AT5 B

17.3" FHD, i5-9500E CPU, 16GB RAM, 2PCI-E(x16, x1) slots, M2 480GB SSD, Battery packs, Trolley case

COMMANDER-AT5 C

17.3" FHD, i5-9500E CPU, 16GB RAM, 1PCI-E(x16), 2PCI slots, M2 480GB SSD, Battery packs, Trolley case

Option:

Processor: Intel i7-9700E

LCD display: 17.3", 3840x 2160 resolution

Keyboard layout: CH, FR, GR, KR, RU, SP, UK, US